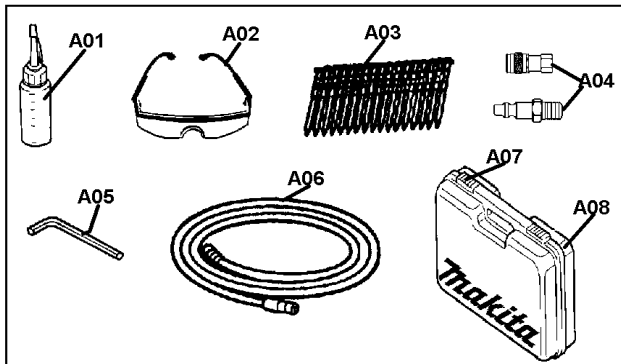
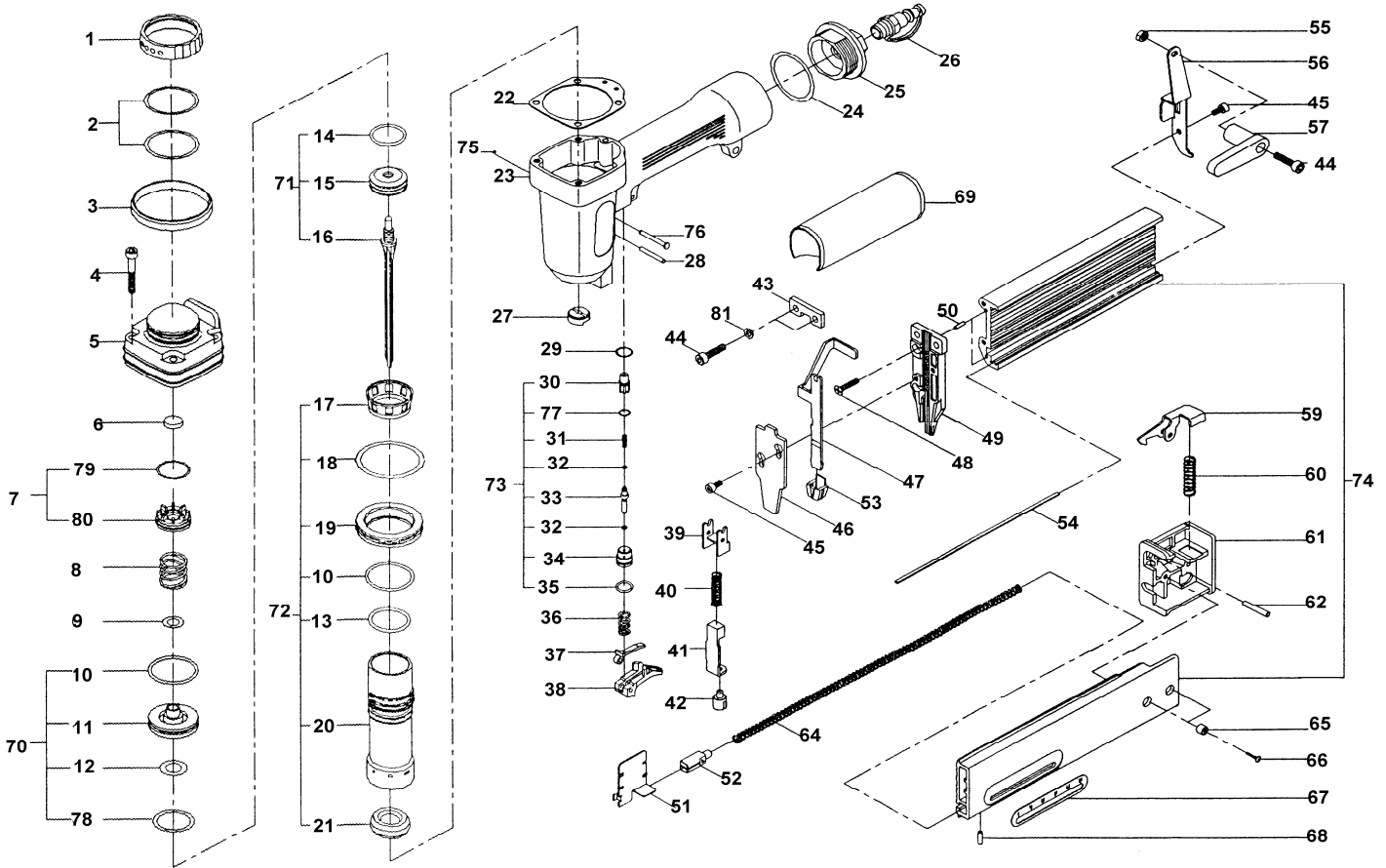




PNEUMATIC BRAD NAILER

Model AF503



Item No	Type	Part No.	Description	Qty	Unit
1	1	A346-07	EXHAUST VALVE COLLAR	1	PC.
	2	A0304-0301	EXHAUST VALVE COLLAR	1	PC.
2		A311-OK	O RING 35.5-1.8	2	PC.
3	1	A312-03	COVER GRIP	1	PC.
	2	A0204-0011	COVER GRIP	1	PC.
4	1	A200-20	SCREW 5-3.5	1	PC.
	2	A0000-0201	SCREW 5-3.5	1	PC.
5	1	I230-NO	EXHAUST COVER	1	PC.
	2	A0301-0171	EXHAUST COVER	1	PC.
6	1	A343-29	AIR SEAL	1	PC.
	2	A0311-0121	AIR SEAL	1	PC.
7	1	B346-06	EXHAUST VALVE ASSY	1	PC.
		INC.	Item. 79, 80		
	2	K0300-0671	EXHAUST VALVE ASSY	1	PC.
		INC.	Item. 79, 80		
8	1	A210-25	SPRING	1	PC.
	2	A0100-0221	SPRING	1	PC.
9		A311-OP	O RING 9.8-2.4	1	PC.
10	1	A311-96	O RING 32-2.5	2	PC.
	2	A0200-1041	O RING 32-2.5	2	PC.
11	1	A340-06	HEAD VALVE PISTON	1	PC.
	2	A0308-0221	HEAD VALVE PISTON	1	PC.
12		A311-OR	O RING 13-3	1	PC.
13	1	A311-40	O RING 26.59-2.95	2	PC.
	2	A0200-0601	O RING 26.59-2.95	2	PC.
14	1	A311-54	O RING 22.9-2.7	1	PC.
	2	A0200-0721	O RING 22.9-2.7	1	PC.
15	1	A262-10	PISTON HEAD	1	PC.
	2	A0602-0061	PISTON HEAD	1	PC.
16	1	A260-20	DRIVE BLADE	1	PC.
	2	A0600-0171	DRIVE BLADE	1	PC.
17	1	A334-02	SLEEVE RETAINER	1	PC.
	2	A0305-0081	SLEEVE RETAINER	1	PC.
18		A311-OT	O RING 44.8-2.6	1	PC.
19	1	A344-02	SPACER	1	PC.
	2	A0800-0391	SPACER	1	PC.
20	1	A232-23	CYLINDER	1	PC.
	2	A0303-0182	CYLINDER	1	PC.
21	1	A341-21	BUMPER	1	PC.
	2	A0309-0181	BUMPER	1	PC.
22	1	A343-24	GASKET	1	PC.
	2	A0205-0101	GASKET	1	PC.
23	1	I22N-08	BODY	1	PC.
	2	A0401-0221	BODY	1	PC.
24		A311-OU	O RING 37.5-3.5	1	PC.
25		A235-AO	TAIL COVER	1	PC.
26	1	B236-11	AIR PLUG WITH DUSTER	1	PC.
	2	B0300-0421	AIR PLUG WITH DUSTER	1	PC.
27	1	A342-01	NOZZLE	1	PC.
	2	A0310-0121	NOZZLE	1	PC.
28	1	A206-29	SPRING PIN 3-24	1	PC.
	2	A0011-0161	SPRING PIN 3-24	1	PC.
29	1	A311-A2	O RING 11-1.05	1	PC.
	2	A0200-1091	O RING 11-1.05	1	PC.
30	1	A351-03	UPPER REMOTE HOUSING	1	PC.
	2	A0503-0222	UPPER REMOTE HOUSING	1	PC.
31	1	A210-A0	CONICAL SPRING	1	PC.
	2	A0104-0041	CONICAL SPRING	1	PC.
32	1	A311-22	O RING 1.9-1.2	1	PC.
	2	A0200-0431	O RING 1.9-1.2	1	PC.

Item No	Type	Part No.	Description	Qty	Unit
33	1	A251-16	REMOTE CORE	1	PC.
	2	A0504-0071	REMOTE CORE	1	PC.
34	1	A251-22	REMOTE HOUSING	1	PC.
	2	A0503-0121	REMOTE HOUSING	1	PC.
35	1	A311-11	O RING 9.8-1.9	1	PC.
	2	A0200-0331	O RING 9.8-1.9	1	PC.
36	1	A210-02	COMPRESSION SPRING	1	PC.
	2	A0100-0021	COMPRESSION SPRING	1	PC.
37	1	A250-04	TRIGGER A	1	PC.
	2	A0500-0011	TRIGGER A	1	PC.
38	1	A350-04	TRIGGER B	1	PC.
	2	A0500-0181	TRIGGER B	1	PC.
39	1	A281-22	GUIDE PLATE	1	PC.
	2	A0712-0122	GUIDE PLATE	1	PC.
40	1	A210-96	SPRING	1	PC.
	2	A0100-0591	SPRING	1	PC.
41	1	A280-47	RELEASE CATCH (B)	1	PC.
	2	A0711-0321	RELEASE CATCH (B)	1	PC.
42	1	A207-23	GUIDE	1	PC.
	2	A0007-0181	GUIDE	1	PC.
43	1	A290-14	SPACER	1	PC.
	2	A0800-0102	SPACER	1	PC.
44	1	A200-09	SCREW 5-20	2	PC.
	2	A0000-0091	SCREW 5-20	2	PC.
45	1	A200-01	SCREW 4-8	2	PC.
	2	A0000-0011	SCREW 4-8	2	PC.
46	1	A295-30	DRIVER GUIDE COVER	1	PC.
	2	A0801-1301	DRIVER GUIDE COVER	1	PC.
47	1	A280-46	RELEASE CATCH	1	PC.
	2	A0711-0311	RELEASE CATCH	1	PC.
48	1	A201-03	SCREW 4-18	1	PC.
	2	A0001-0001	SCREW 4-18	1	PC.
49	1	A294-44	DRIVER GUIDE	1	PC.
	2	A0801-1101	DRIVER GUIDE	1	PC.
50	1	A206-12	INNER SPRING PIN 2.5-10	1	PC.
	2	A0011-0061	INNER SPRING PIN 2.5-10	1	PC.
51	1	A275-A1	PUSHER	1	PC.
	2	A0707-0701	PUSHER	1	PC.
52	1	A374-02	SPRING HOLDER	1	PC.
	2	A0706-0681	SPRING HOLDER	1	PC.
53	1	A349-04	PAD	1	PC.
	2	A0204-0271	PAD	1	PC.
54	1	A276-24	STEEL BAR	1	PC.
	2	A0708-0221	STEEL BAR	1	PC.
55	1	A204-02	NYLON NUT M5	1	PC.
	2	A0004-0021	NYLON NUT M5	1	PC.
56	1	A274-66	MAGAZINE SUPPORT	1	PC.
	2	A0706-0471	MAGAZINE SUPPORT	1	PC.
57	1	A349-06	BELT HOOK	1	PC.
	2	A0316-0041	CLICK LEVER	1	PC.
59	1	A277-16	CLICK LEVER	1	PC.
	2	A0709-0101	SPRING	1	PC.
60	1	A210-97	SPRING	1	PC.
	2	A0101-0131	PLASTIC COVER	1	PC.
61	1	A335-01	PLASTIC COVER	1	PC.
	2	A0718-0051	PIN	1	PC.
62	1	A206-49	PIN	1	PC.
	2	A0006-0201	COMPRESSION SPRING	1	PC.
64	1	A210-61	COMPRESSION SPRING	1	PC.
	2	A0100-0401	SPACER	1	PC.

Item No	Type	Part No.	Description	Qty	Unit
65	1	A278-21	SPACER	1	PC.
	2	A0710-0161	SCREW 4-25	1	PC.
66	1	A203-27	SCREW 4-25	1	PC.
	2	A0003-0061	SCALE BOARD	1	PC.
67		A349-05	SCREW 3-12	1	PC.
68	1	A203-28	SCREW 3-12	1	PC.
	2	A0003-0071	HANDLE GRIP	1	PC.
69	1	A312-04	HANDLE GRIP	1	PC.
	2	A0204-0021	HEAD VALVE PISTON SET	1	PC.
70	1	B340-06	HEAD VALVE PISTON SET	1	PC.
	INC.		Item. 10-12, 78		
70	2	K0300-0601	HEAD VALVE PISTON SET	1	PC.
	INC.		Item. 10-12, 78		
71	1	BN01-10	PISTON ASSY	1	PC.
	INC.		Item. 14-16		
71	2	B0600-1231	PISTON ASSY	1	PC.
	INC.		Item. 14-16		
72	1	B232-23	CYLINDER SET	1	PC.
	INC.		Item. 10,13 & 17-20		
72	2	K0300-0291	CYLINDER SET	1	PC.
	INC.		Item. 10,13 & 17-20		
73	1	B351-03	TRIGGER VALVE SET	1	PC.
	INC.		Item. 30-35 & 77		
73	2	B0500-0181	TRIGGER VALVE SET	1	PC.
	INC.		Item. 30-35 & 77		
74	1	B271-96	MAGAZINE ASSY	1	PC.
	2	K0700-0601	MAGAZINE ASSY	1	PC.
75	1	A205-04	E-RING 2.5	1	PC.
	2	A0005-0041	E-RING 2.5	1	PC.
76	1	A206-65	STEP PIN 5-27.3	1	PC.
	2	A0006-0291	STEP PIN 5-27.3	1	PC.
77	1	A311-A1	O RING 8-1	1	PC.
	2	A0200-1081	O RING 8-1	1	PC.
78	1	A311-B9	O RING 24.5-3	2	PC.
	2	A0200-1231	O RING 24.5-3	2	PC.
79		A311-OQ	O RING 22-1.5	1	PC.
80	1	A346-06	EXHAUST VALVE SET	1	PC.
	2	A0314-0141	EXHAUST VALVE SET	1	PC.
81	1	A205-03	WASHER #5-1.1T	1	PC.
	2	A0005-0031	WASHER #5-1.1T	1	PC.

ACCESSORIES

- See Catalogue or visit www.makita.ca for more accessories -

A01		E112-00	OIL DISPENSER 20CC	1	PC.
		181434-7	OIL DISPENSER 20CC	1	PC.
A02		191686-A	SAFETY GLASSES	1	PC.
		191687-A	SAFETY GLASSES	1	PC.
A03		-----	NAILS (SEE CATALOGUE FOR DETAILS)	1	PC.
A04		-----	COUPLERS (SEE CATALOGUE FOR DETAILS)	1	PC.
A05		783201-2	WRENCH	1	PC.
		783202-0	WRENCH	1	PC.
A06		-----	AIR HOSE(SEE CATALOGUE FOR DETAILS)	1	PC.
A07		182935-8	SLIDE LOCK	2	PC.
A08	1	E110-41	PLASTIC CARRYING CASE	1	PC.
	INC.	182935-8	Item. A07		
	2	A0905-0361	PLASTIC CARRYING CASE	1	PC.
	INC.	182935-8	Item. A07		